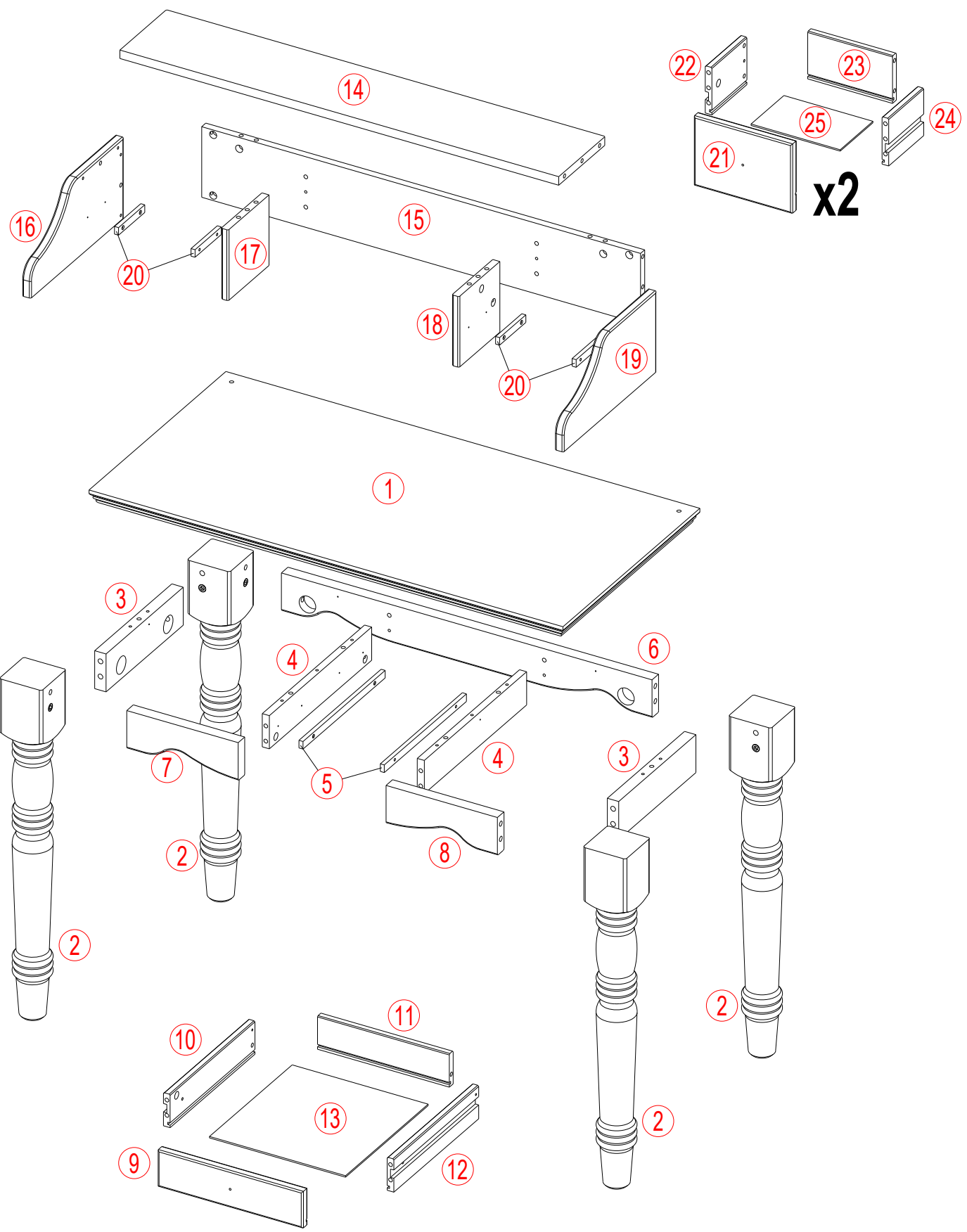
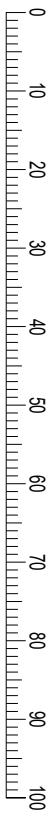
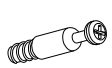

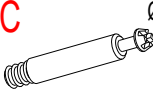

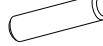






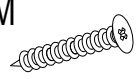






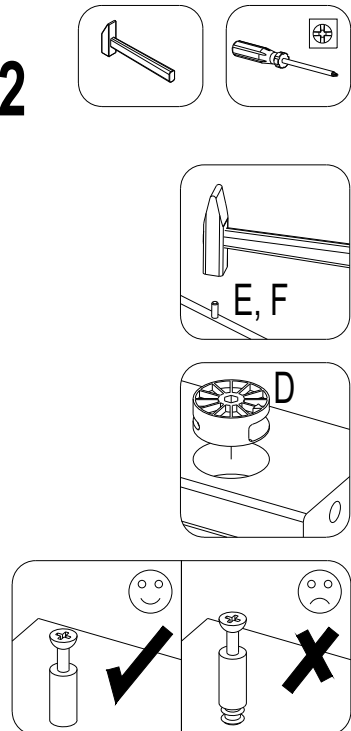
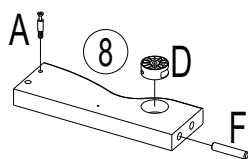
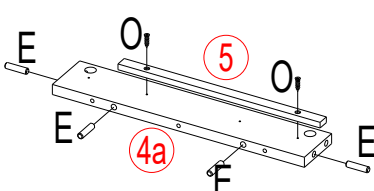
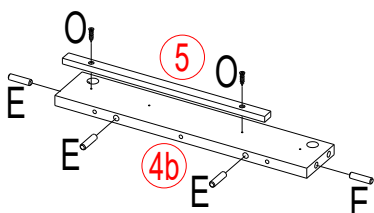
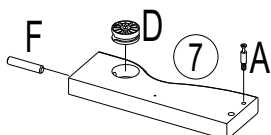
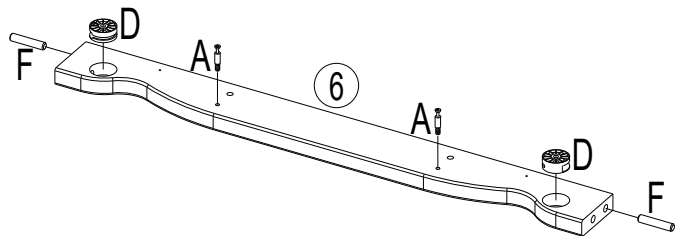
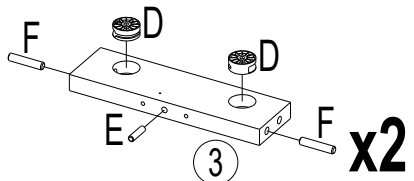
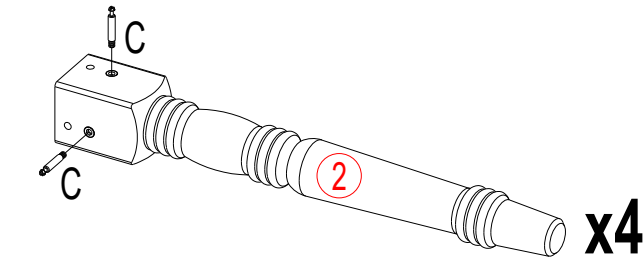
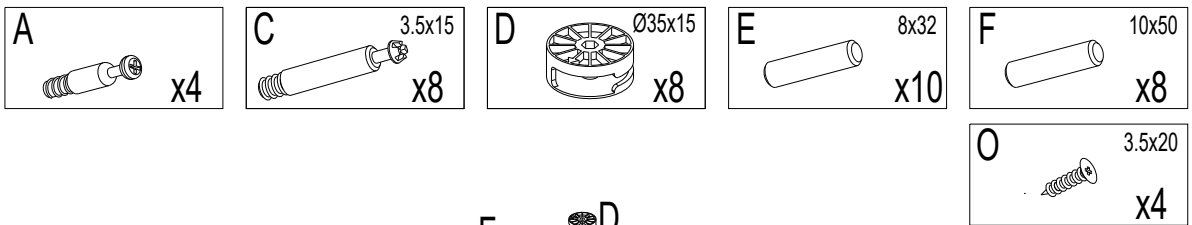
60 min



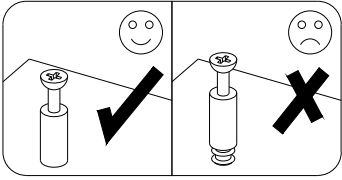
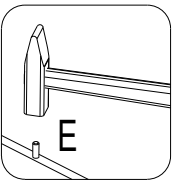
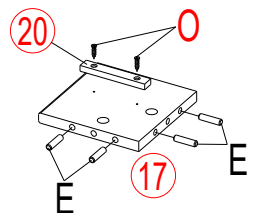
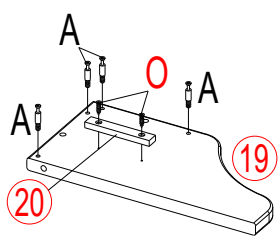
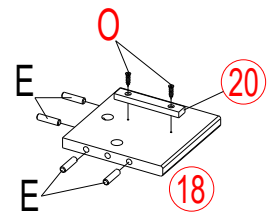
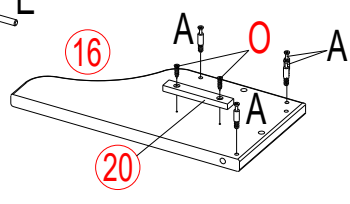
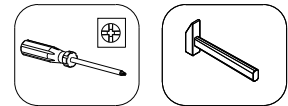
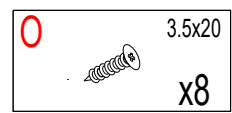
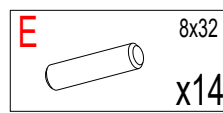
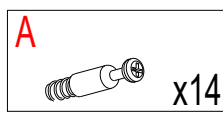
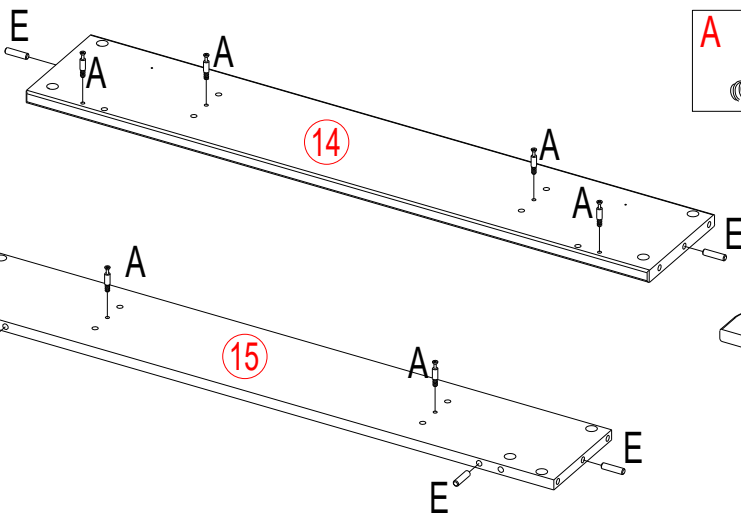
| | | | | | | |
|----------|--|---|---|---|---|---|
| 1 | A  x24 | B  x24 | C  Ø8x48 x8 | D  Ø35x15 x8 | E  8x32 x46 | F  10x50 x8 |
| | G  x3 | H  M4x22 x3 | J  SW 6 x1 | K  x4 | L  x8 | M  4,0x50 x10 |
| | N  3.5x35 x6 | O  3.5x20 x12 | P  3.5x15 x20 | Q  x2 | | |

| No | Size/MaB (mm) | Qty | Colli No | ✓ | No | Size/MaB (mm) | Qty | Colli No | ✓ |
|----|---------------|-----|----------|---|----|---------------|-----|----------|---|
| 1 | 1000x500x30 | 1 | 2/2 | | 14 | 926x170x18 | 1 | 2/2 | |
| 2 | 720x90x90 | 4 | 1/2 | | 15 | 926x149x15 | 1 | 2/2 | |
| 3 | 282x80x24 | 2 | 2/2 | | 16 | 340x170x18 | 1 | 2/2 | |
| 4 | 374x70x15 | 2 | 2/2 | | 17 | 149x149x15 | 1 | 2/2 | |
| 5 | 300x16x8,5 | 2 | 2/2 | | 18 | 149x149x15 | 1 | 2/2 | |
| 6 | 782x80x24 | 1 | 2/2 | | 19 | 340x170x18 | 1 | 2/2 | |
| 7 | 235x80x24 | 1 | 2/2 | | 20 | 96x16x8,5 | 4 | 2/2 | |
| 8 | 235x80x24 | 1 | 2/2 | | 21 | 207x146x18 | 2 | 2/2 | |
| 9 | 306x77x18 | 1 | 2/2 | | 22 | 128x100x14 | 2 | 2/2 | |
| 10 | 310x70x14 | 1 | 2/2 | | 23 | 179x100x14 | 2 | 2/2 | |
| 11 | 278x70x14 | 1 | 2/2 | | 24 | 128x100x14 | 2 | 2/2 | |
| 12 | 310x70x14 | 1 | 2/2 | | 25 | 120x188x3 | 2 | 2/2 | |
| 13 | 302x287x3 | 1 | 2/2 | | | | | | |

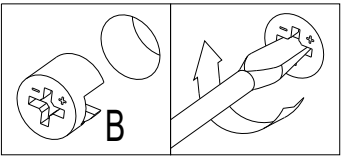
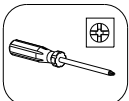
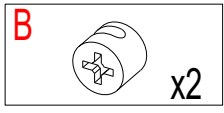
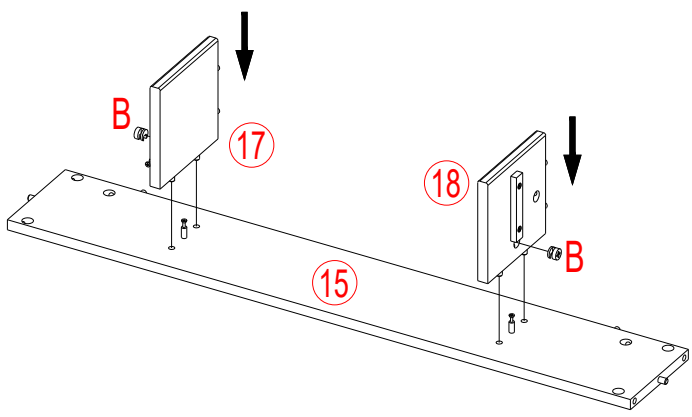
1



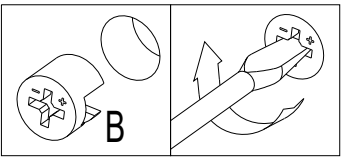
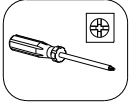
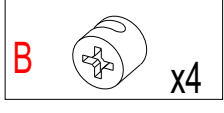
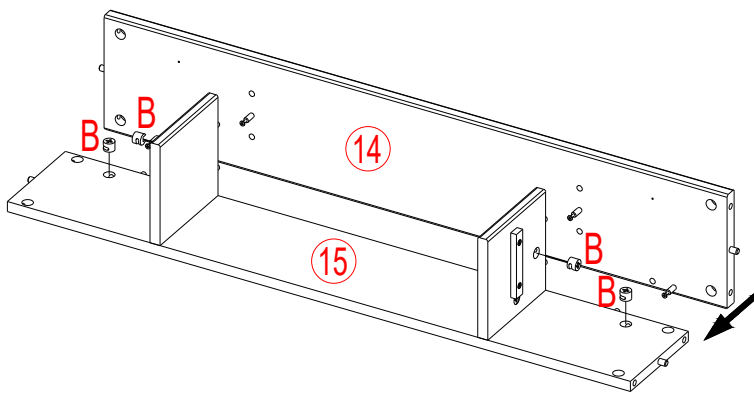
6



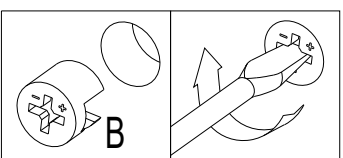
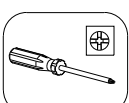
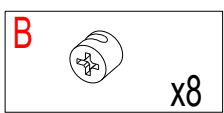
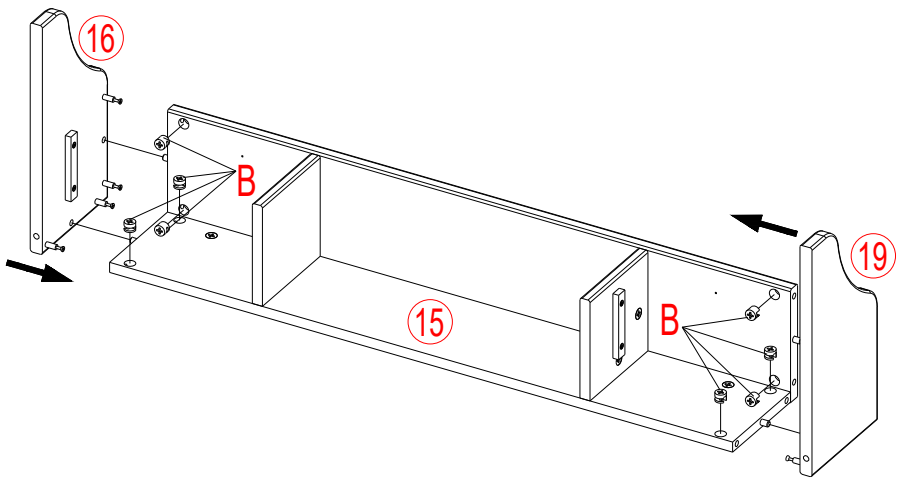
7



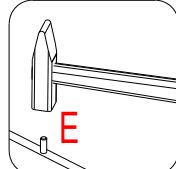
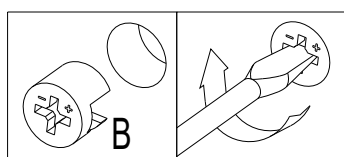
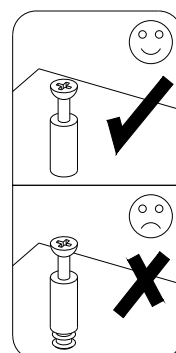
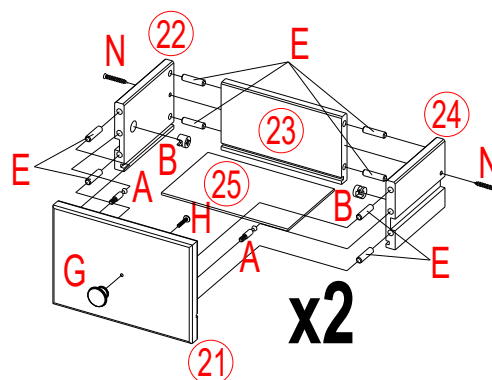
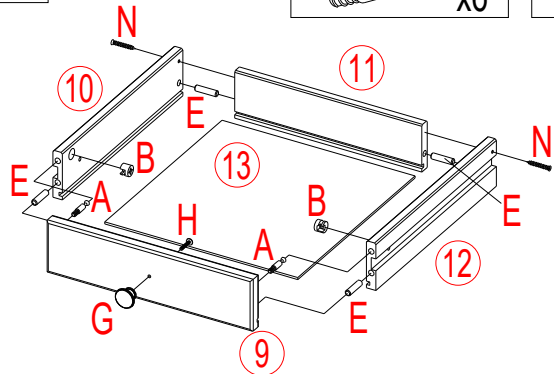
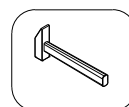
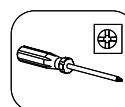
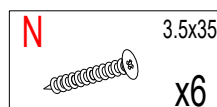
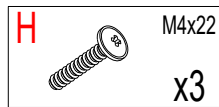
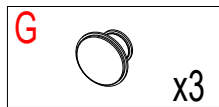
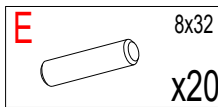
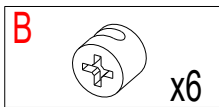
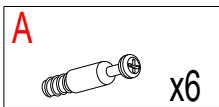
8



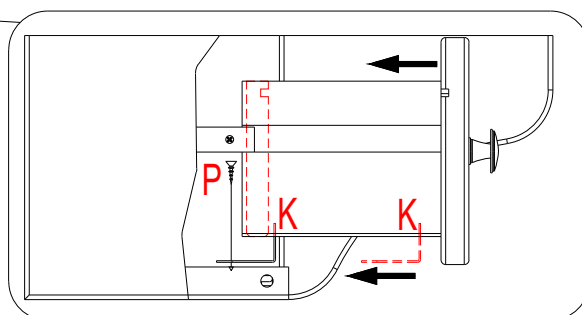
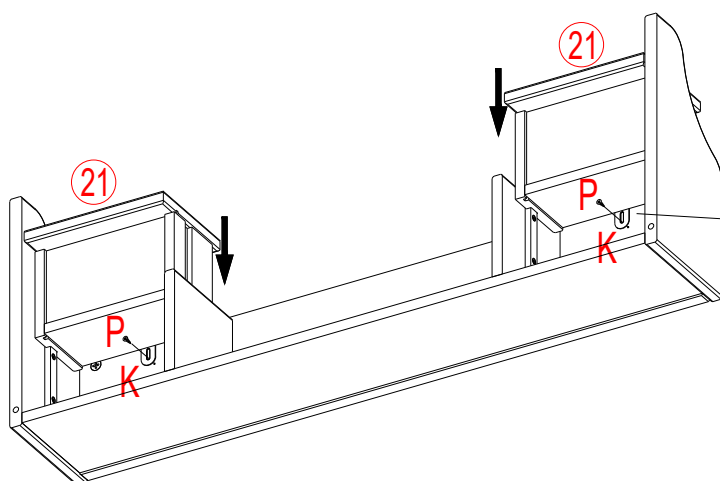
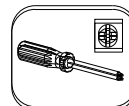
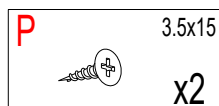
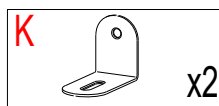
9



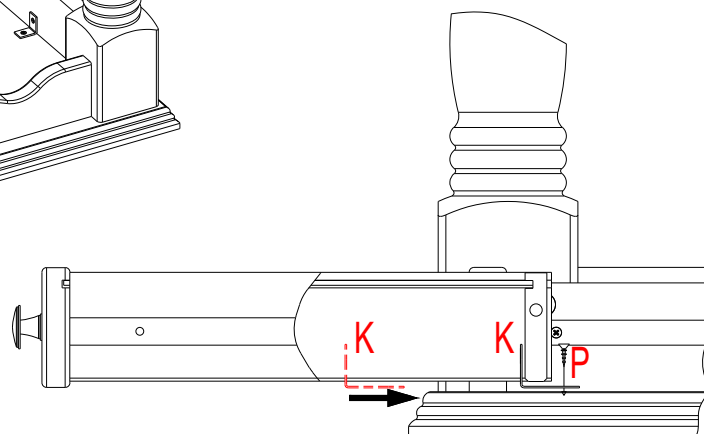
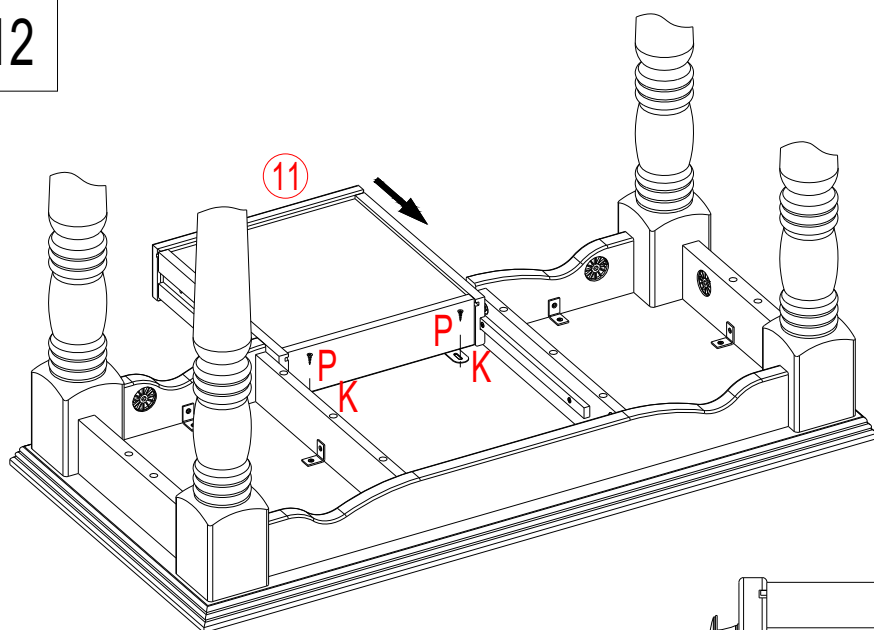
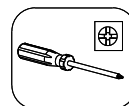
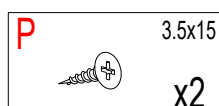
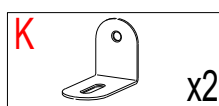
10



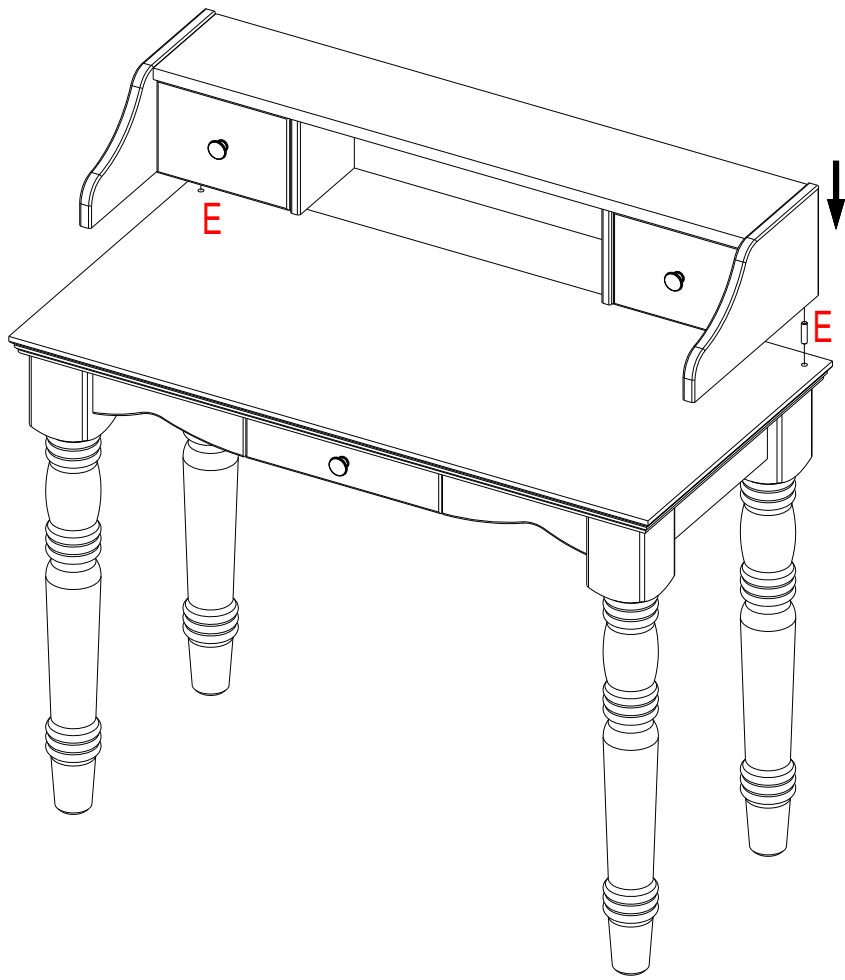
11



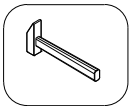
12



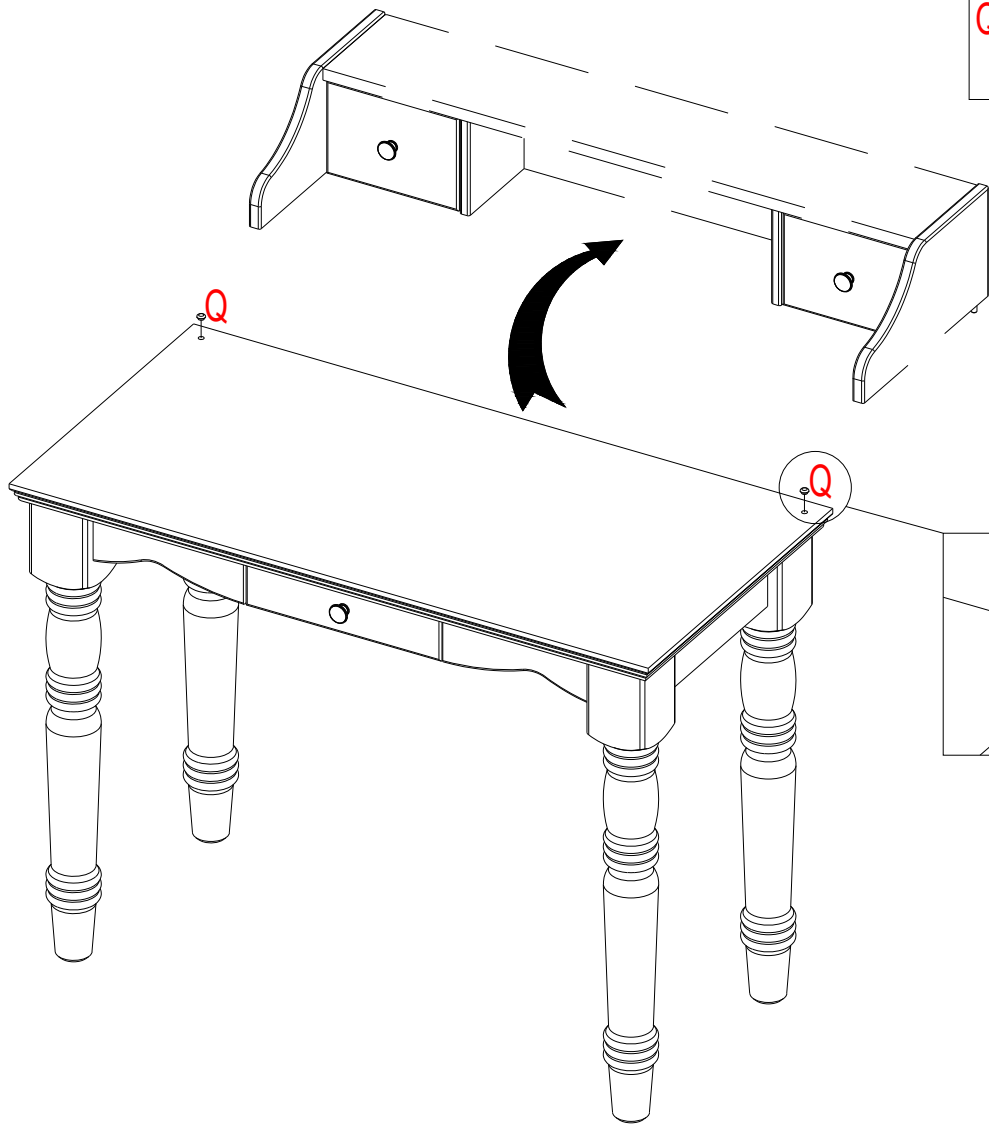
13a



E 8x32
x2



13b



Q x2

